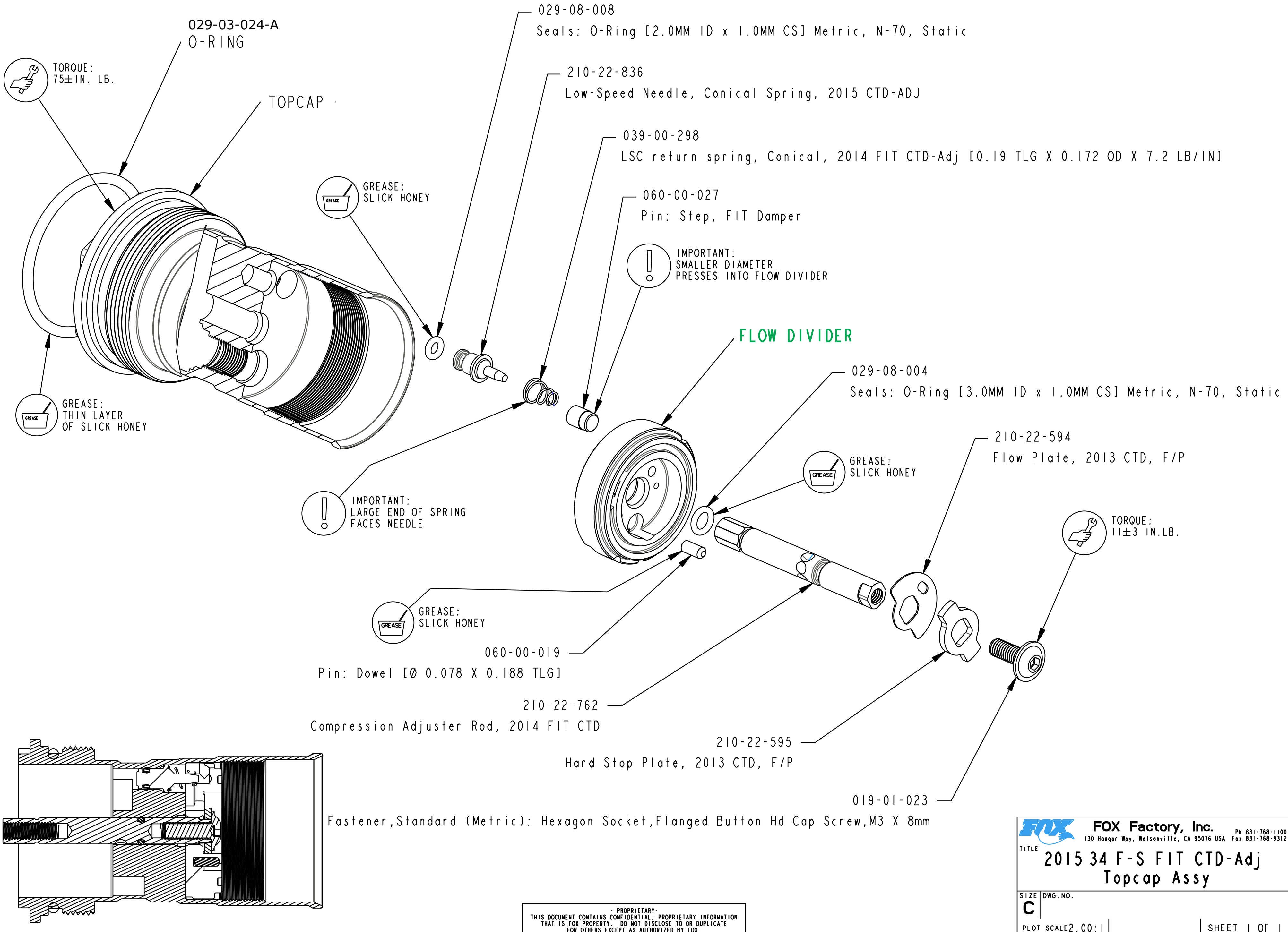


4

3

2

1



- PROPRIETARY -  
THIS DOCUMENT CONTAINS CONFIDENTIAL, PROPRIETARY INFORMATION  
THAT IS FOX PROPERTY. DO NOT DISCLOSE TO OR DUPLICATE  
FOR OTHERS EXCEPT AS AUTHORIZED BY FOX.

|   |          |                          |                 |
|---|----------|--------------------------|-----------------|
|   |          | <b>FOX Factory, Inc.</b> | Ph 831-768-1100 |
| 130 Hangar Way, Watsonville, CA 95076 USA               |          | Fox 831-768-9312         |                 |
| TITLE<br><b>2015 34 F-S FIT CTD-Adj<br/>Topcap Assy</b> |          |                          |                 |
| SIZE  | DWG. NO. | PLOT SCALE 2.00:1        |                 |
| <b>C</b>  |          | SHEET 1 OF 1             |                 |